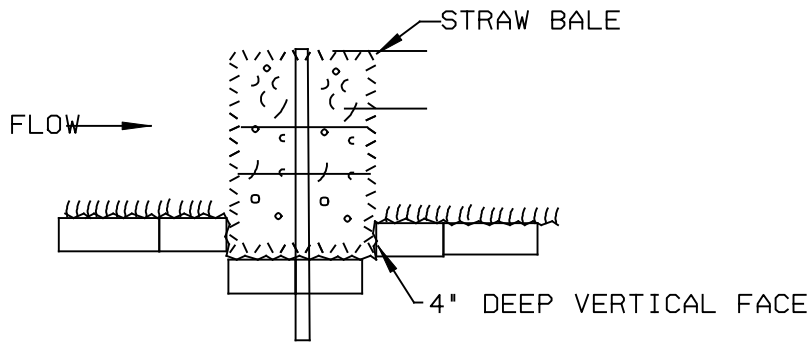
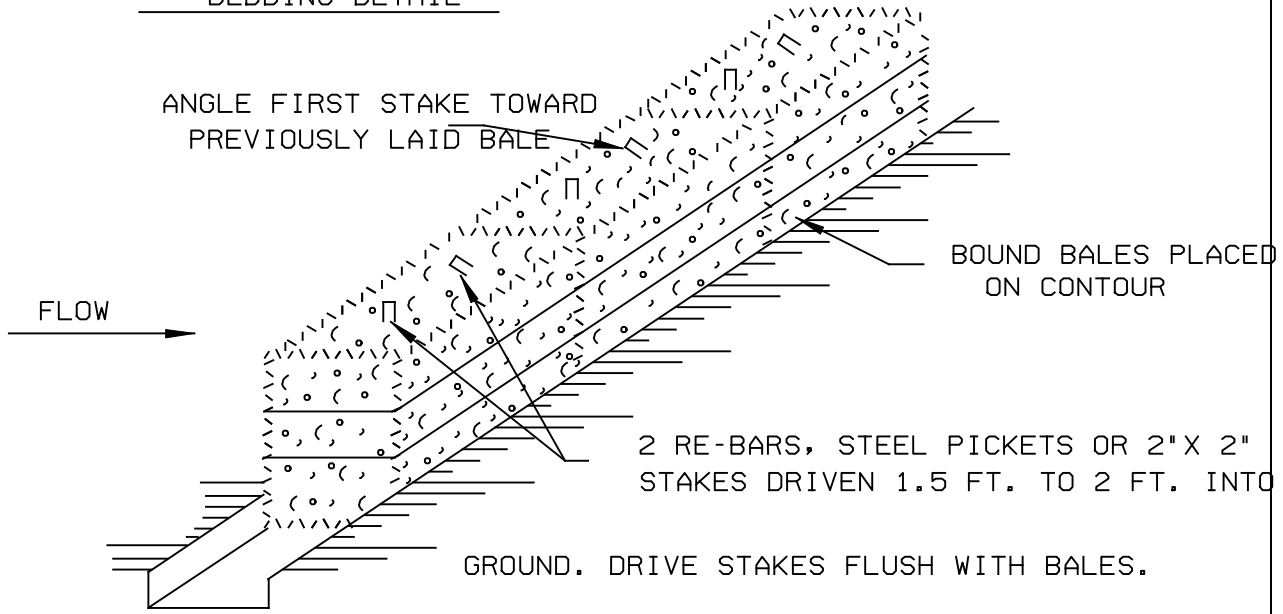


PERIMETER BARRIER - STRAW BALE DETAIL



BEDDING DETAIL



ANCHORING DETAIL

NOTES

1. BALES SHALL BE PLACED AT THE TOP OF SLOPE OR ON THE CONTOUR AND IN A ROW WITH ENDS TIGHTLY ABUTTING THE ADJACENT BALES.
2. EACH BALE SHALL BE EMBEDDED IN THE SOIL A MINIMUM OF 4", AND PLACED SO THAT BINDINGS ARE HORIZONTAL.
3. BALES SHALL BE SECURELY ANCHORED IN PLACE BY EITHER TWO STAKES OR RE-BARS DRIVEN THROUGH THE BALE. THE FIRST STAKE IN EACH BALE SHALL BE DRIVEN TOWARD THE PREVIOUSLY LAID BALE AT AN ANGLE TO FORCE THE BALES TOGETHER. STAKES SHALL BE DRIVEN FLUSH WITH THE BALE.
4. INSPECTION SHALL BE FREQUENT AND REPAIR REPLACEMENT SHALL BE MADE PROMPTLY AS NEEDED.
5. BALES SHALL BE REMOVED WHEN THEY HAVE SERVED THEIR USEFULNESS SO AS NOT TO BLOCK OR IMPEDE STORM FLOW OR DRAINAGE.

SHEET 1 OF 1

DESIGN BY DOUG GROVSTEEN	APPROVED	BY :	SCALE NONE
PERIMETER BARRIER - STRAW BALES	5/23/2009	DATE :	
STANDARD DETAIL: 13.07-C			



CITY OF BLOOMINGTON
ENGINEERING DEPARTMENT