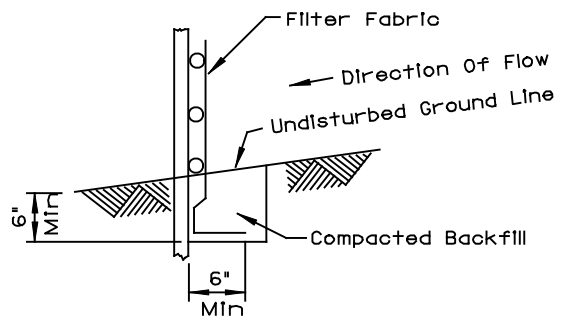
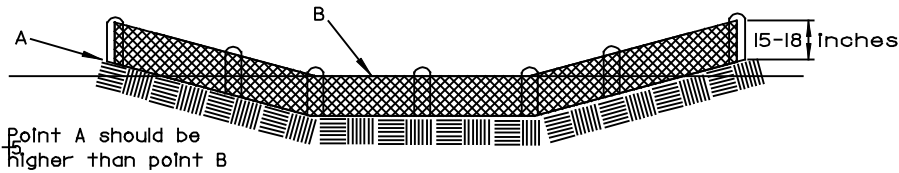
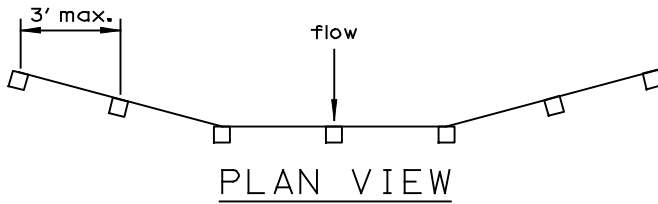


SILT FENCE DITCH CHECK



NOTES

1. Filter fabric shall meet the requirements of Material Specification 592-- Geotextile, Table 1 or 2, Class 1.
2. Top and bottom wires of the wire support shall be a minimum 9 gauge; intermediate wires shall be a minimum of 11 gauge. The maximum opening shall be 6 inches.
3. Fence posts shall be standard T or U steel posts or wood with a minimum cross sectional area of 3.0 square inches. Posts shall be a minimum of 60 inches long.
4. The posts shall be driven a minimum of 24 inches into the ground. Post spacing shall be 3 foot maximum.
5. The wire support (or alternative support structure) is required.
6. The height of a silt fence shall be a minimum of 15 inches and a maximum of 18 inches above the original ground surface.
7. When splices are necessary, the fabric should be spliced at a support post with a minimum 6 inch overlap.
8. The silt fence shall be entrenched to a minimum depth of 8 inches, with an additional 6 inches extending along the bottom of the trench in the up-slope direction. The trench shall be backfilled and the soil compacted over the fabric.
9. The filter fabric and wire support, if used, must be securely fastened to the posts using 1 inch long heavy duty wire staples, tie wires or hog rings. The fabric shall not be stapled to trees.
10. Silt Fence Ditch Checks shall be installed as soon as possible after final grading has been completed.

SHEET
1 OF 1

DESIGN BY: DOUG GROVESTEN REVISED: 5/23/2003
SILT FENCE DITCH CHECK
STANDARD DETAIL: 13.07-J

APPROVED BY: _____
DATE: _____

SCALE NONE



CITY OF BLOOMINGTON
ENGINEERING DEPARTMENT