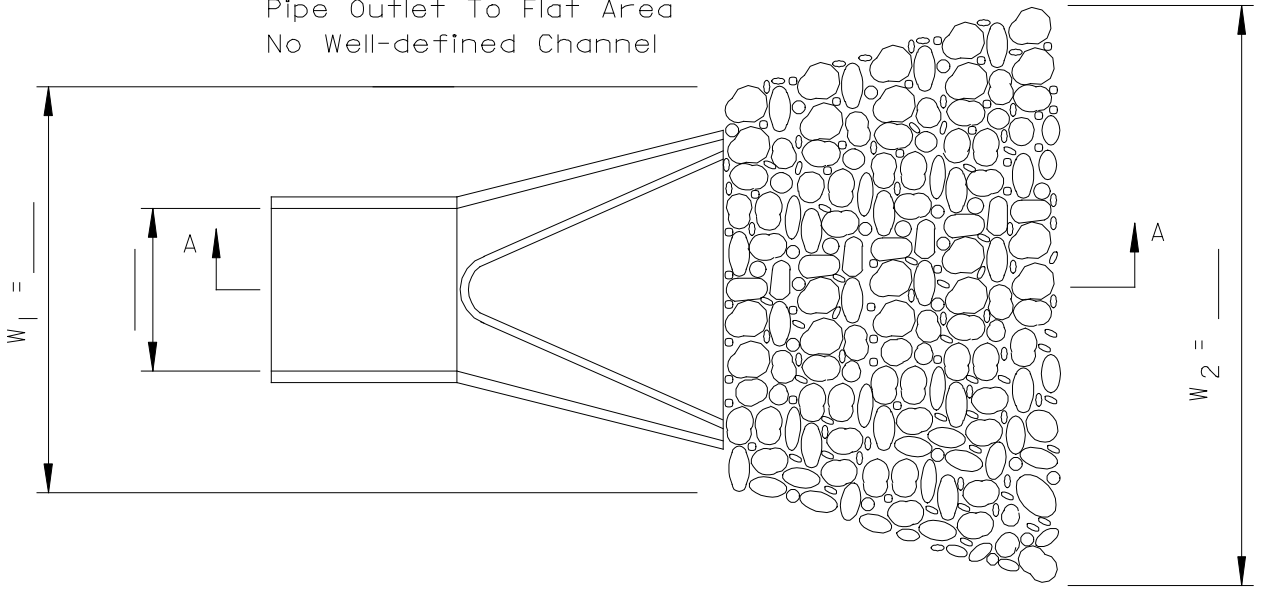
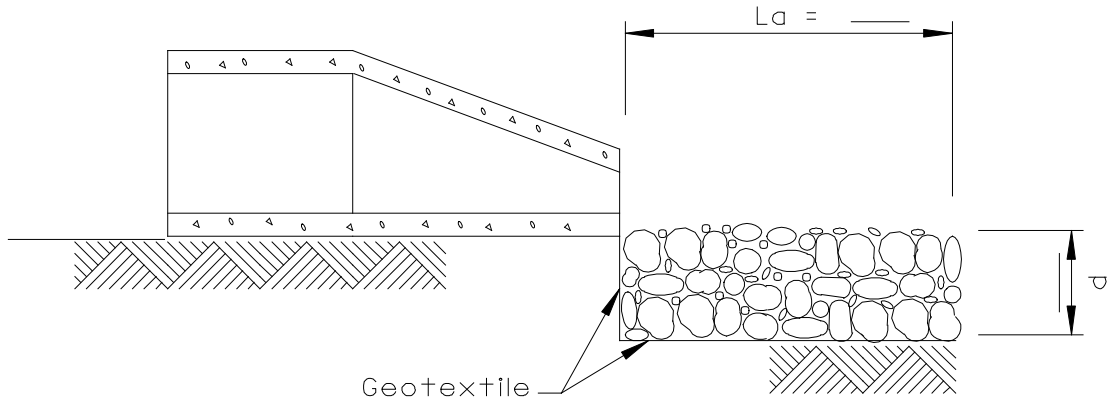


PIPE OUTLET TO FLAT AREA

Pipe Outlet To Flat Area
No Well-defined Channel



PLAN



SECTION A-A

NOTES:

1. The filter fabric shall meet the requirements in material specifications 592 GEOTEXTILE Table 1 or 2, class I, I I or I I I.
2. The rock riprap shall meet the IDOT requirements for the following gradation: RR _____, Quality _____.
3. The riprap shall be placed according to construction specification 61 LOOSE ROCK RIPRAP. The rock may be equipment placed.

